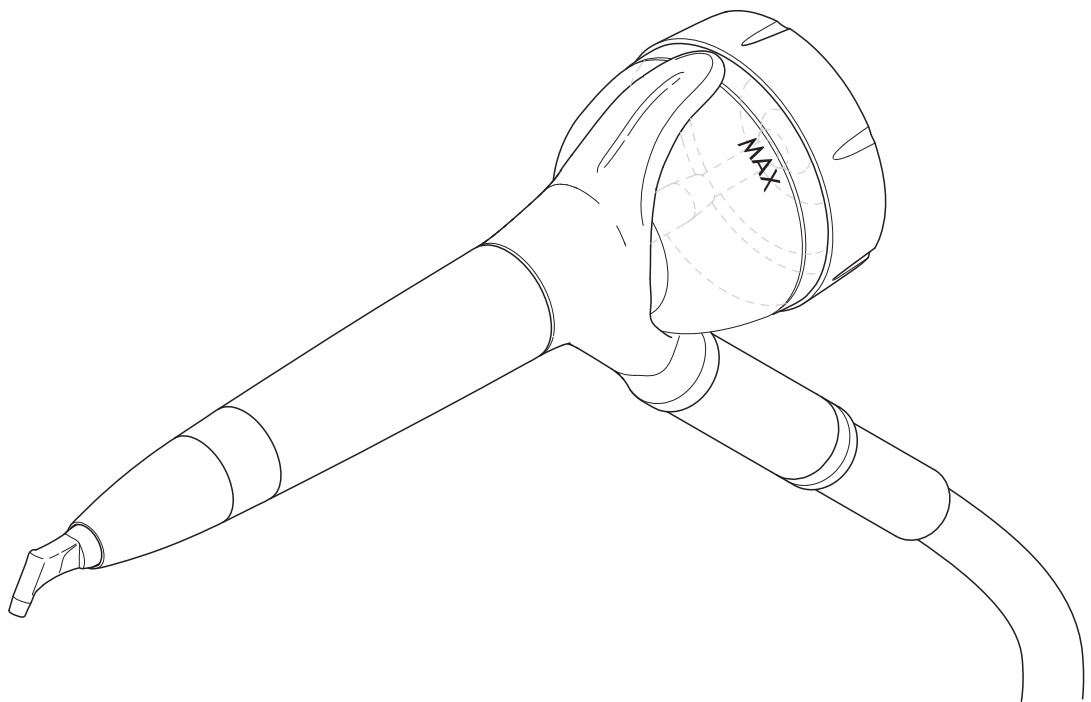


Quick Start

Download



Instructions For Use



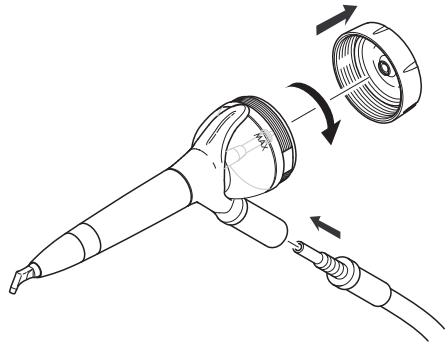
air **N** GO
easy

REF : QUICK START AIR-N-Go® EASY • J10100 • V1 • (13) • 10/2014 • ND27ZZ010A

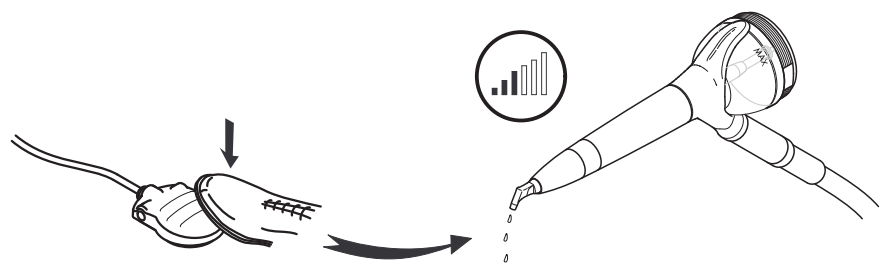
A Company of ACTEON Group • 17 av. Gustave Eiffel • BP 30216 • 33708 MERIGNAC Cedex • France
Tel. +33 (0)5 56 34 06 07 • Fax. +33 (0)5 56 34 92 92
E-mail : satelec@acteongroup.com • www.acteongroup.com

SATELEC
ACTEON

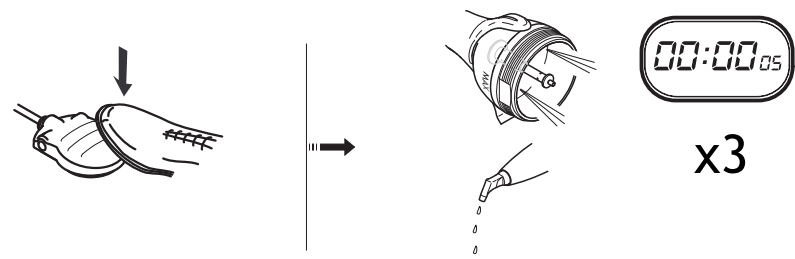
1



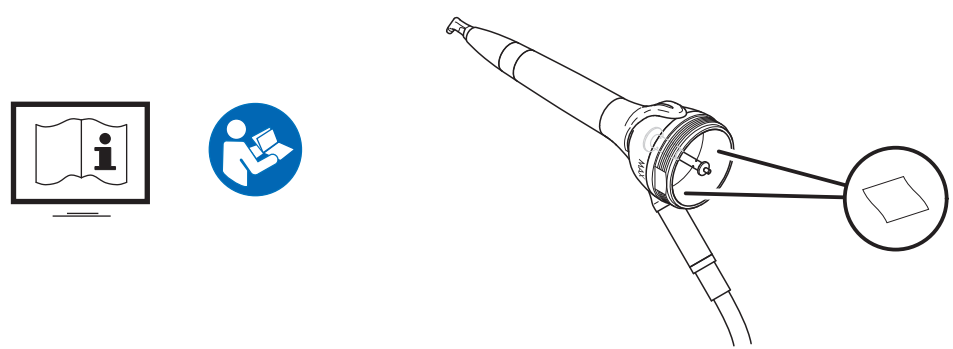
2



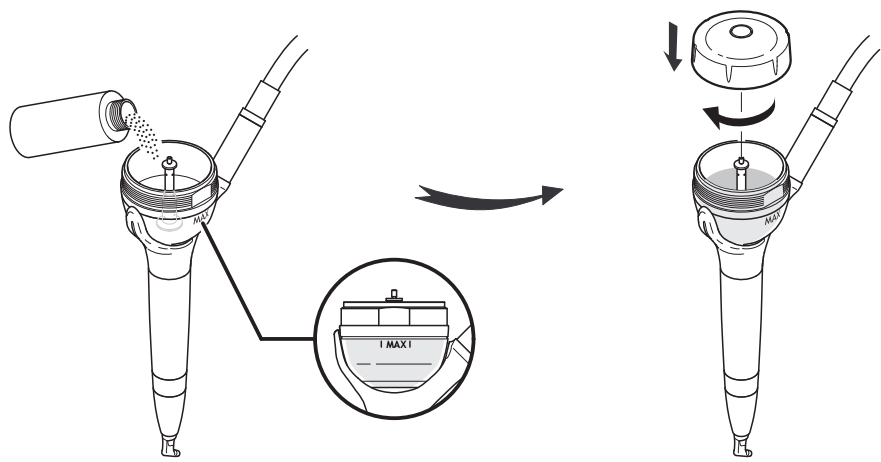
3



4



5



6

